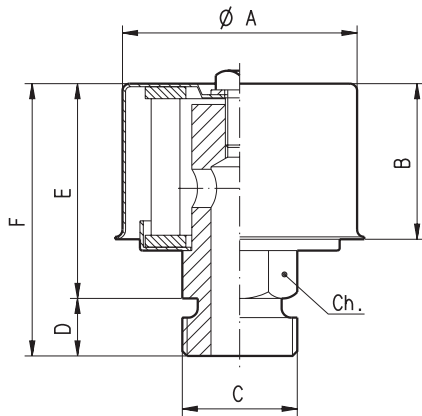


AIR FILTERS SERIES AF 105



Replaces: AF-HL 02 T E

The air filters AF 105 series are built in steel and are protected with special treatments to be used on circuit exposed to atmospheric agents.



D106-D01/0901

TECHNICAL DATA		
Filter type	Degree of filtration air	Air flow
AF 105-10	5 [µm] 10 [µm]	200 [l/min]
AF 105-20	5 [µm] 10 [µm]	500 [l/min]

Filter type	ØA	B	C	D	E	F	Ch	Weight
	mm	mm		mm	mm	mm		[kg]
AF 105-10	48	32	M 12X1,5	9	45	54	14	0,09
			M 18x1,5	9	45	54	19	0,13
			M 22x1,5	10	45	55	24	0,17
			G 1/4	9	45	54	14	0,11
			G 3/8	9	45	54	19	0,13
AF 105-20	67	50	G ½	10	64	74	22	0,27

HOW TO ORDER

1	-	2	-	3	-	4
AF 105-10		GB		SP010		P1

1	Filter type	CODE
	Air filter	AF 105-10
	Air filter	AF-105-20
2	Thread connection	CODE
METRIC		
	M 12X1,5 ①	TB
	M 18X1,5 ①	TE
	M 22X1,5 ①	TG
GAS (BSPP)		
	G 1/4 ①	GB
	G 3/8 ①	GC
	G 1/2 ②	GD

3	Degree of filtration	CODE
	5 [µm] Cellulose	SP005
	10 [µm] Cellulose	SP010

4	Pressurization	CODE
	None	P1

① FOR 105-10 ONLY

② FOR 105-20 ONLY

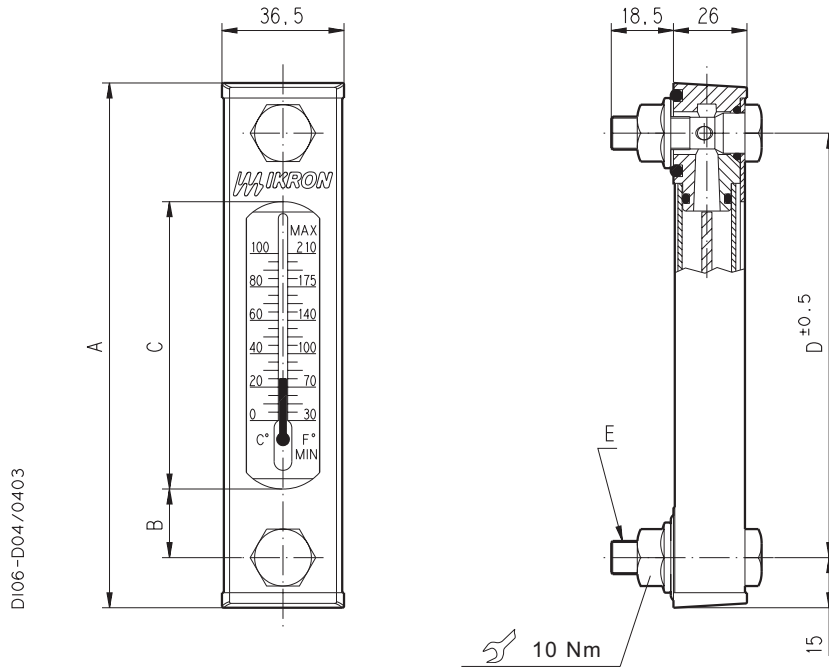
Edition: 03/04.2003

IKRON S.r.l.

43044 Lemignano di Collecchio (PR) - Italy Via C. Prampolini, 2
 Telephone: (+ 39) 0521 304911 - Fax (+ 39) 0521 304900 - <http://www.casappa.com> - e-mail: ikron@casappa.com

LEVEL AND TEMPERATURE GAUGES HL 91 SERIES

The indicators HL 91 series are applied on reservoirs containing oil based fluids and they allow the survey of the level, and eventually of the temperature. The HL 91 series products are made of plastic material mounted on a aluminium frame.



Replaces: 02/09.01

TECHNICAL DATA						
Max. operating pressure	Operating temperature	Fluid compatibility		Seals		Thermometer scale
1 bar	- 30 + 90 [°C]	Mineral oil	Petroleum based fluids	Buna	Viton	0 + 100 [°C]

Gauge type	A	B	C	D	E	Drilling tank	E	Drilling tank	F	G	H	Weight [kg]
	mm	mm	mm	mm		mm		mm	mm	mm	mm	
HL 91-10	106	17,5	41	76	M10X1,5	11	M12x1,75	13	-	-	-	0,15
HL 91-20	157	20,5	86	127	M10x1,5	11	M12X1,75	13	-	-	-	0,19
HL 91-30	284	20,5	213	254	M10X1,5	11	M12X1,75	13	-	-	-	0,23

HOW TO ORDER

1	2	3	4
HL 91-10	- T1	- T	- B

1	Gauge type	CODE
Centre 76 mm		HL 91-10
Centre 127 mm		HL 91-20
Centre 254 mm		HL 91-30

2	Screw fixing	CODE
M10X1,5		T1
M12X1,75		T2

3	Thermometer	CODE
None		N
With thermometer		T

4	Seals	CODE
Buna		B
Viton		V

Di06-002 - 03/04.03