

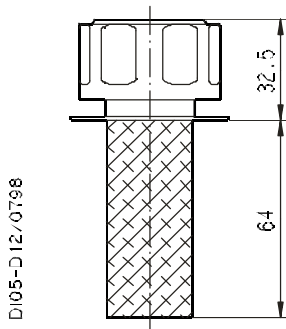
FILLER BREATHER FILTERS SERIES HB



Replaces: HB 01 T E / 07.1998

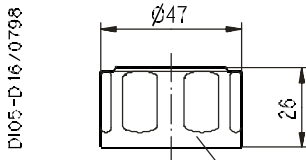
The filler breather filters HB series are built in steel and are protected with special treatments allowing utilization and exposure to the atmospheric agents. The range includes particular options like the pressurization valve and the air filtration.

HB 50

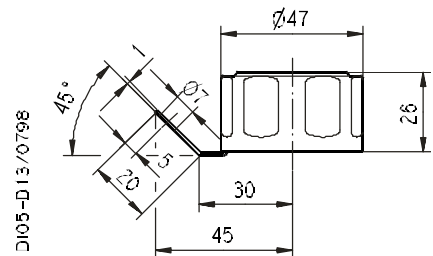


TECHNICAL DATA		
Degree of filtration air		10 [µm] - 40 [µm]
Air flow	10 [µm]	250 [l/min]
	40 [µm]	285 [l/min]
Operating temperature		- 30 + 90 [°C]
Fluid compatibility		Mineral oils
		Synthetic fluids
Seals		Buna
Weight		0,070 ÷ 0,090 [Kg]

CAP



CAP WITH LOCKING LUG



Also available with chain

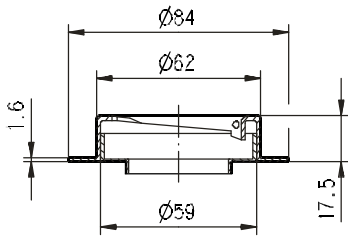
Edition: 02/04.2000

IKRON S.r.l.

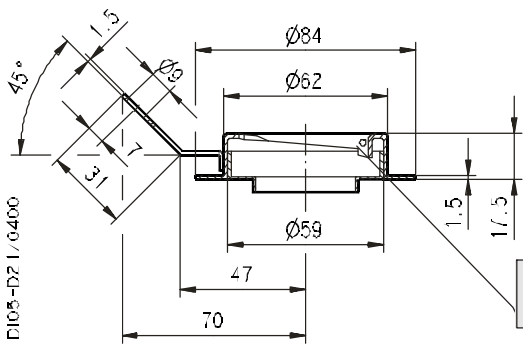
43044 Lemignano di Collecchio (PR) - Italy Via C.Prampolini, 2
 Telephone: nat. 0521 304911 -internat. + 39 0521 304911 - Fax + 39 0521 304900

Replaces: 07.98

MOUNTING FLANGE

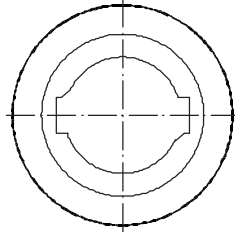


MOUNTING FLANGE WITH LOCKING LUG



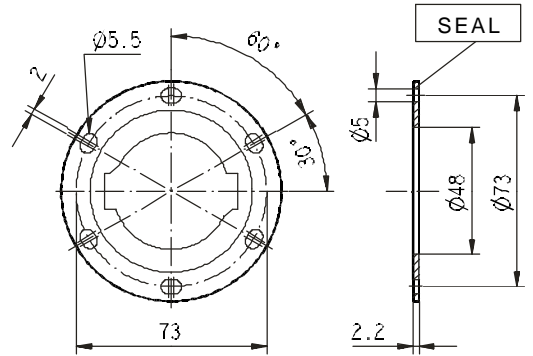
WELD-ON MOUNTING

Hole tank Ø 42



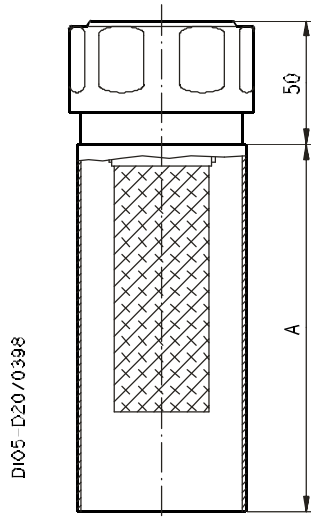
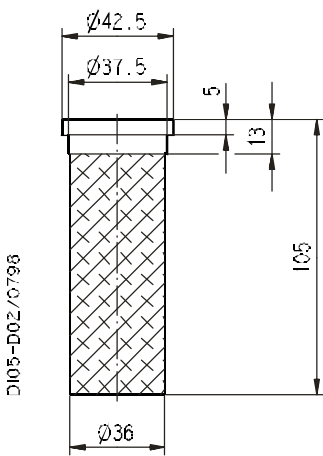
MOUNTING WITH SCREWS

Hole tank Ø 42



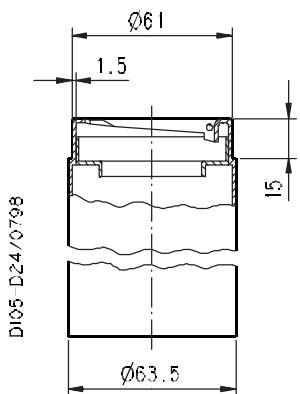
Furnished with 6 screws M5x12 UNI 6107 and seal

FILTERING BASKET

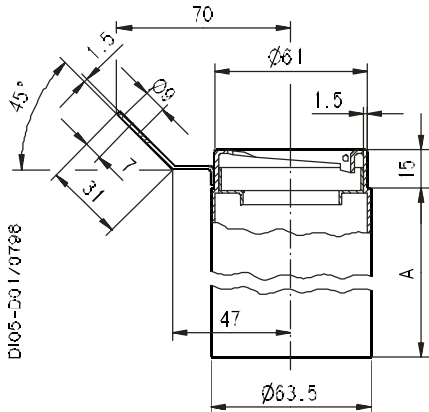


Extension code	A
	mm
15	40
20	65
25	80
30	135

FLANGE WITH EXTENSION WELD-ON MOUNTING



FLANGE WITH EXTENSION AND LOCKING LUG WELD-ON MOUNTING



Hole tank Ø 64

D105-002 - 02/04.00

HOW TO ORDER

1	2	3	4	5	6	7	8	9								
HB 70	-	A	-	8	-	L	-	2	-	15	-	G	-	2	-	R

1	Type	CODE
	Filler breather filters	HB 50
	Filler breather filters	HB 70

2	Cap features	CODE
	10 [µm] Air filter	A
	40 [µm] Air filter	B

3	Pressurization valve	CODE
	None	8
	With pressurization valve: 0,4 bar ①	9

4	Dipstick	CODE
	None	L
	With dipstick height (200 mm) ① - ②	M
	With dipstick height (400 mm) ① - ②	N
	With dipstick height (630 mm) ① - ②	P

5	Arrangements	CODE
	None	1
	Arranged for chain	2
	Arranged for safety locking	3

6	Mounting flange	CODE
	Mounting with screws	05
	Weld-on mounting	10
	Extension to weld h= 40 mm ①	15
	Extension to weld h= 65 mm ①	20
	Extension to weld h= 80 mm ①	25
	Extension to weld h= 135 mm ①	30

7	Filtering basket	CODE
	None ①	G
	With basket (obligatory for HB 50)	H

8	Flange arrangements	CODE
	None	1
	Arranged for chain	2
	Arranged for locking	3

9	Safety elements	CODE
	None	R
	With safety element	S

① ONLY FOR HB 70 ONLY

② VERSIONS M - N - P DO NOT ALLOW THE MOUNTING WITH THE FILTERING BASKET