

# IN-LINE MEDIUM PRESSURE FILTERS HF 690 SERIES



The in-line medium pressure filters HF690 series are specifically designed to be connected on the pressure line of the hydraulic circuit and provide versatility to safeguard the circuit components from contaminating particles.

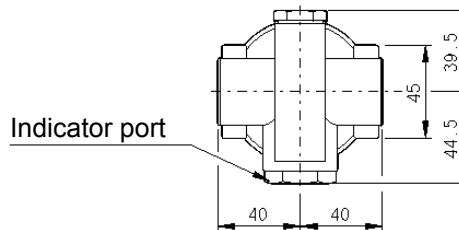
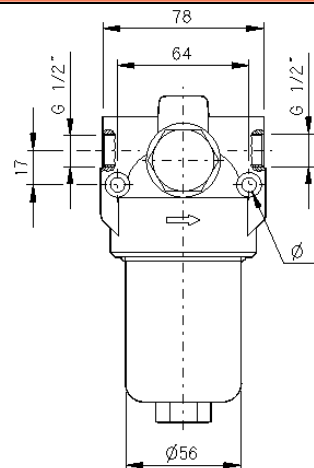
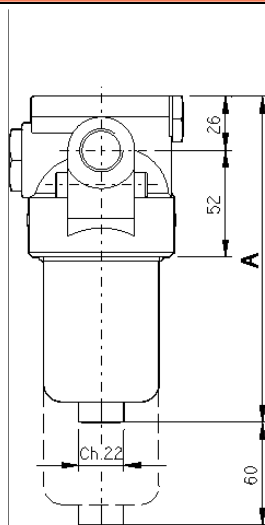
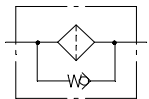
- EASY TO ASSEMBLE AND TO HANDLE
- VERSATILITY OF INSTALLATION

COMPLETE FILTER		
MATERIALS	Head	Aluminum
	Bowl	Aluminum
	Seals	Buna - Viton
FLUID COMPATIBILITY CONFORMING TO ISO 2943	With reference to ISO 6743/4	With fluid (HH-HL-HM-HR-HV-HG) And water emulsion (HFAE-HFAS) Use filters with Buna seals. With water - glycol (HFC) Ask for anodizing treatment.
		With syntetic fluid (HS-HFDR-HFDU-HFDS) Use filters with Viton seals.
FLOW RANGE	min.	10 [l/min]
	max.	80 [l/min]
MAX. WORKING PRESSURE	max.	11000 [kPa] 110 bar
TESTING PRESSURE		16000 [kPa] 160 bar
BURST PRESSURE		33000 [kPa] 330 bar
OPERATING TEMPERATURE	With Buna seals	- 20 + 80 [°C]
	With Viton seals	- 20 + 110 [°C]
FILTER ELEMENTS		
MATERIALS	End cap – Inner tube	Zinc plated steel With water – glycol ask for cover with zinc
		Stainless steel
	Filter media	Reinforced cellulose
		Micro-fibre glass
REMOVAL RATING		Conforming to ISO 16889
ELEMENT COLLAPSE PRESSURE RATING	Conforming to ISO 2941	2000 [kPa] 20 bar

## IKRON S.r.l.

43044 Lemignano di Collecchio (PR) - Italy Via C. Prampolini, 2  
 Telephone: nat. 0521 304911 - internat. + 39 521 304911 - Fax + 39 (0) 521 304900 - e.mail ikron@casappa.com

## TECHNICAL DATA



Filter type	A (mm)
<b>HF 690-10.086</b>	158
<b>HF 690-10.180</b>	246

## HOW TO ORDER A COMPLETE FILTER

1	2	3	4	5	6	7	8
HF 690-10.086	- AS	- FG010	- B60	- GD	- B	- DD	- G

1	Filter type	CODE
See table prev.		<b>HF690-..</b>
2	Filtering surface	CODE
Standard		<b>AS</b>
3	Degree of filtration	CODE
3 [µm] Micro-fibre		<b>FG003</b>
6 [µm] Micro-fibre		<b>FG006</b>
10 [µm] Micro-fibre		<b>FG010</b>
25 [µm] Micro-fibre		<b>FG025</b>
60 [µm] Stainless steel		<b>MI060</b>
10 [µm] Reinf. cellulose		<b>RP010</b>
25 [µm] Reinf. cellulose		<b>RP025</b>

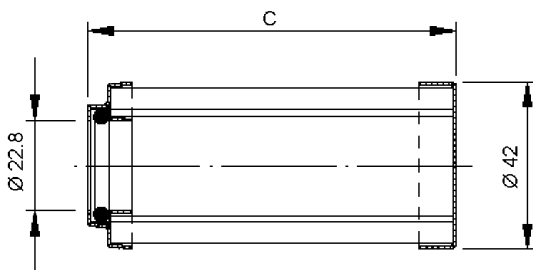
4	By-pass valve	CODE
Setting 600 [kPa]; 6 [bar]		<b>B60</b>
None		<b>B00</b>
5	Ports IN/OUT	CODE
G 1/2		<b>GD</b>
6	Seals	CODE
Buna		<b>B</b>
Viton		<b>V</b>
7	Indicators arrang.	CODE
Arranged		<b>XA</b>
Arranged with plug		<b>DD</b>

8	Indicators	CODE
None		<b>G</b>
Visual differential indicator		<b>J</b>
Visual electrical differ. indicator		<b>T</b>

Standard

On request

## FILTERING ELEMENTS – TECHNICAL DATA



Element type	C (mm)	Filtering surface (cm <sup>2</sup> )		
		FG	RP	MI
<b>HE K85-10.086</b>	86	385	385	385
<b>HE K85-10.180</b>	180	845	845	845

## HOW TO ORDER A REPLACEMENT ELEMENT

1	2	3	4
HE K85-10.086	- AS	- FG010	- B

1	Element type	CODE
See table		<b>HE K85-..</b>
2	Filtering surface	CODE
See table ref. 2 ♦		

4	Degree of filtration	CODE
See table ref. 3 ♦		
5	Seals	CODE
See table ref. 6 ♦		

♦ Table how to order a filter