

CASAPPA News

Hydraulic filters **HF710**

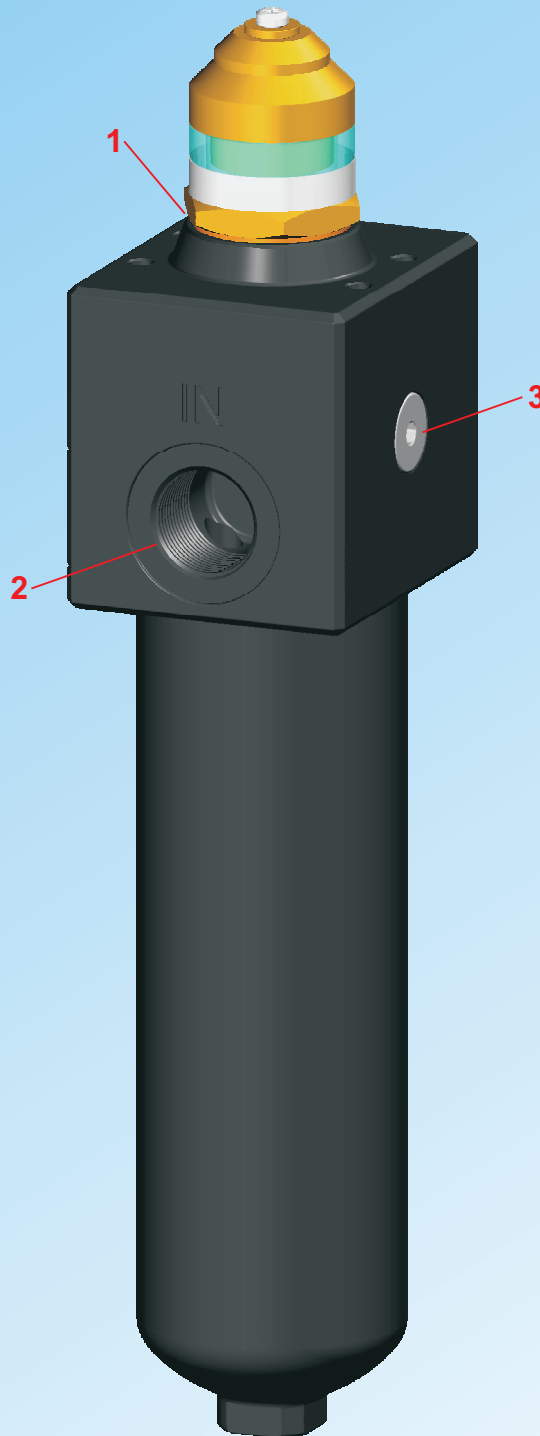
**In line up to
3626 psi
(250 bar)**

**Flow up to
9.2 US gpm
(35 l/min)**

1 Arranged for differential indicators

2 Ports IN / OUT:
G 1/2"

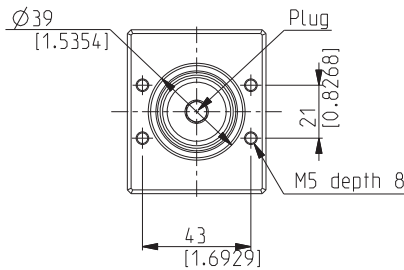
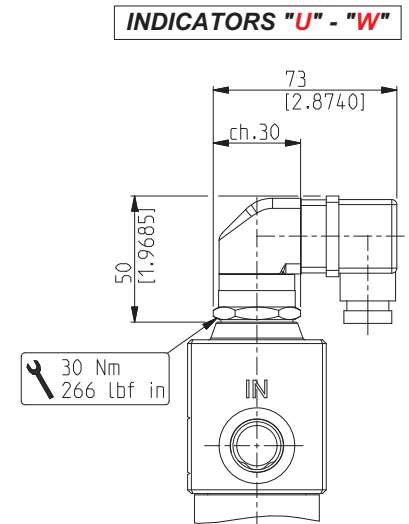
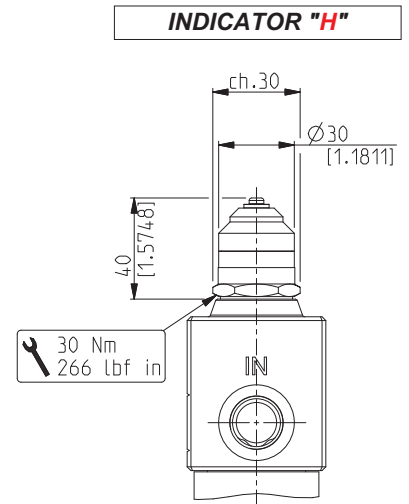
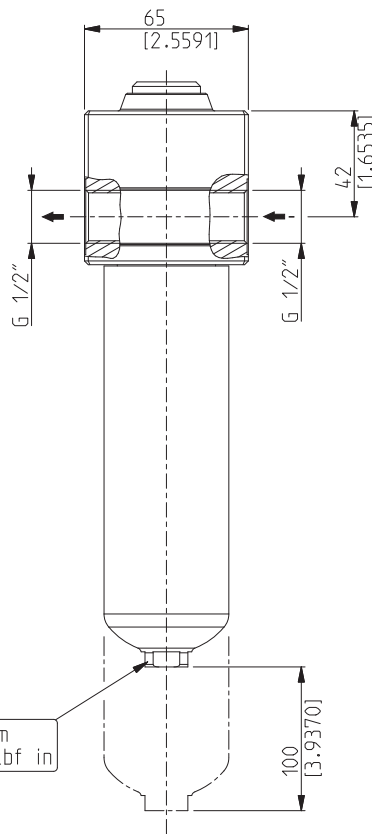
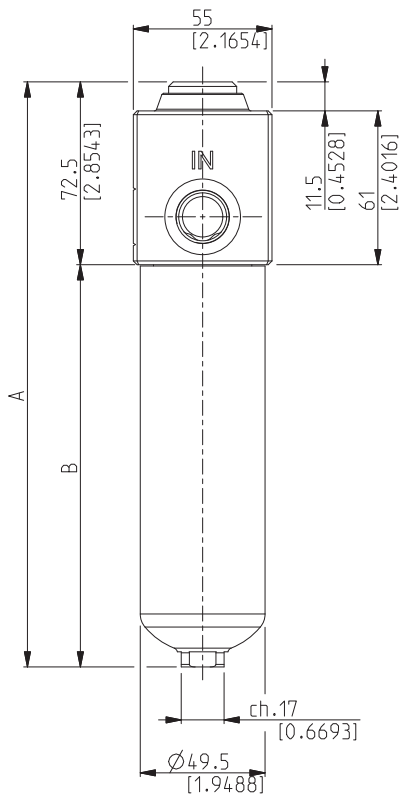
3 By-pass valve



**Aluminium housing,
synonymous with
real lightness!**

IKRON
Fluid Filtration

Hydraulic filters **HF710**



Filter type	Weight		A		B	
	kg	[lbs]	mm	[in]	mm	[in]
HF 710-10.050	1,0	2.20	182	[7.1653]	109.5	[4.3110]
HF 710-10.100	1,2	2.64	232	[9.1339]	159.5	[6.2795]

HOW TO ORDER A COMPLETE FILTER

1	2	3	4	5	6	7	8	9	
HF710	- 10.100	- AS	- FG010	- LC	- B60	- GD	- B	- XD	- G

1	Filter type	CODE
See table above		HF710-
2	Filtering surface	CODE
Standard		AS
3	Degree of filtration	CODE
3 [µm] Micro-fibre glass		FG003
6 [µm] Micro-fibre glass		FG006
10 [µm] Micro-fibre glass		FG010
25 [µm] Micro-fibre glass		FG025

4	Δp collapse pressure	CODE
290 [psi]; 20 [bar]		LC
3046 [psi]; 210 [bar]		HC
5	By-pass valve	CODE
Setting 87 [psi]; 6 [bar]		B60
Without		B00
6	Inlet port	CODE
Thread GAS (BSPP)		
G 1/2		GD

7	Seals	CODE
Buna		B
Viton		V

8	Indicator port	CODE
Upper side arranged		XD
9	Indicator	CODE
Without indicator, with plug		G
Visual differential indicator		H
Visual electrical differential indicator		U
Visual electrical differential indicator with thermostat		W

Standard On request

1030-001 - 01/11.2009